



# SUGGESTED SPECIFICATION

Tankless Water Heater shall be an Eemax Model \_\_\_\_\_ with \_\_\_\_\_ kW rating, \_\_\_\_\_ voltage vac, \_\_\_\_\_ to heat \_\_\_\_\_ GPM @ a temperature rise of \_\_\_\_\_ degrees F. Unit shall have ABS-UL 94Vo rated cover. Element shall be replaceable cartridge insert. Unit shall have replaceable filter in the inlet connector. Element shall be iron free, nickel chrome material. Heater shall be fitted with 1/2" compression nuts (5/8"OD), to eliminate need for soldering. Maximum operating pressure of 150 PSI. Hot water storage tanks prohibited. Unit shall be Eemax or approved equal.

NOTE: Refer to rating chart for product information.

# SPECIFICATION OPTIONS

- Model:  SL = (Single Lav.)- 3/8" adapter supplied  
In line flow restrictor available  
Specify flow rate (.5 GPM to 1 GPM)  
Example: EX55SL
- DL = (Dual Lavs)-supplied with two faucet aerators  
Example: EX55DL, EX61 1 GPM or .5 GPM
- FC = (Flex Connector) - Steel braided flex connector. Example: EX55FC176  
3/8" C x 1/2" FIP - 16" faucet supply (EX176)  
or  
3/8" C x 3/8" C - 16" faucet supply (EX177)
- Plumbing Orientation:  SP = Top water connections  
1/2" (5/8"OD) compression fittings  
 EX = Bottom water connections  
1/2" (5/8"OD) compressions fittings

## RATINGS OF "FLOW CONTROLLED" MODELS { Cold water feed only }

PLUMBING ORIENTATION	MODEL	OPTIONS	VOLTS	kW	AMPS	TEMPERATURE RISE °F					RECOMMENDED WIRE SIZE
						0.5 GPM	0.75 GPM	1.0 GPM	1.5 GPM	2.0 GPM	
SP,EX	35	SL,FC	240V*	3.5kW	15A	48°	32°	24°	-	-	14AWG
SP,EX	48	SL,DL,FC	240V*	4.8kW	20A	65°	44°	32°	21°	16°	12AWG
SP,EX	55	SL,DL,FC	240V*	5.5kW	23A	75°	50°	38°	25°	19°	10AWG
SP,EX	65	SL,DL,FC	240V*	6.5kW	27A	89°	59°	44°	30°	22°	10AWG
SP,EX	75	SL,DL,FC	240V*	7.5kW	32A	-	68°	51°	34°	26°	8AWG
SP,EX	95	DL,FC	240V*	9.5kW	40A	-	87°	65°	43°	32°	8AWG
SP,EX	8208	DL,FC	208V	8.3kW	40A	-	76°	57°	38°	28°	8AWG
SP,EX	60	SL,DL,FC	277V	6.0kW	22A	82°	55°	41°	27°	20°	10AWG
SP,EX	80	DL,FC	277V	8.0kW	29A	-	73°	55°	36°	27°	10AWG
SP,EX	90	DL,FC	277V	9.0kW	33A	-	82°	61°	41°	31°	8AWG
SP,EX	100	DL,FC	277V	10.kW	36A	-	91°	68°	46°	34°	8AWG

\* Units can be used at 208V with 25% reduced output and amperage.

## SPECIFICATIONS:

Dimensions: 10.75" x 5.25" x 2.78"

Weight: 3 lbs.

Cover: ABS UL rated 94Vo.

Color: White

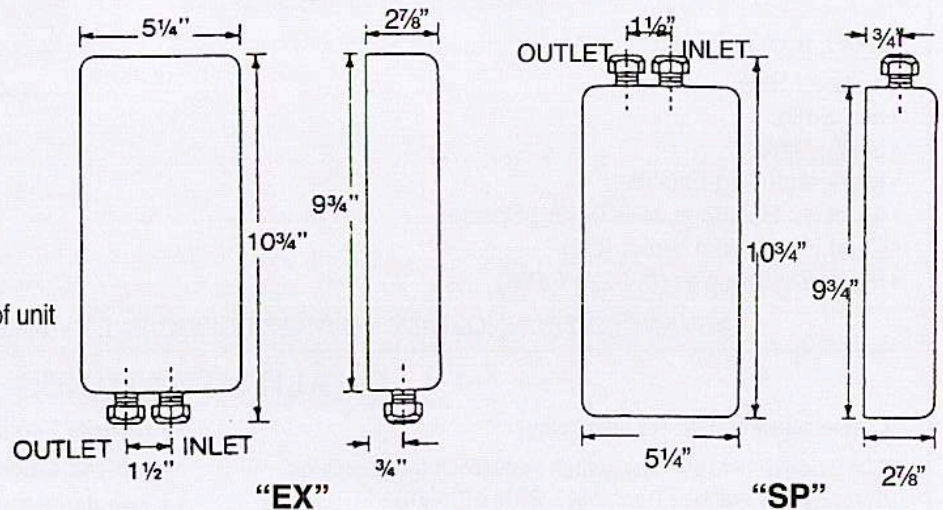
Element: Replaceable cartridge insert

Fittings: 1/2" pipe (5/8"OD) compression at bottom of unit  
or 3/8" compression (SL)

Operating Pressure: min 25 PSI, max 150 PSI

UL Listed: E86887 (M)

U.S. Patent #s: 4,762,980 and 4,960,976



**SPECIAL DESIGN SERVICE**

INQUIRIES FOR UNITS FOR UNIQUE APPLICATIONS ARE WELCOME. CALL OUR TECHNICAL SERVICE DEPT. 1-800-543-6163

### EEMAX SUBMITTAL

Engineer/Architect: \_\_\_\_\_  
Job Name/Customer: \_\_\_\_\_  
Location: \_\_\_\_\_  
Contractor: \_\_\_\_\_  
Representative: \_\_\_\_\_

HEATER SPECIFICATIONS:

EX Model #	EX	Option	Quantity	kW	Voltage	AMPS	GPM

# Eemax® Inc.

353 Christian St., Oxford, Ct 06478

www.eemax.com

Telephone: (203) 267-7890

Toll Free: 1-800-543-6163

Fax: (203) 267-7975

### Instant Comfort...Endless Savings

# ELECTRIC TANKLESS WATER HEATERS

9/06

### MODELS:

	Thermostatic Options	Volts	kW	Amps
EX2412T	S,FS,P,DR	120V	2.4kW	20A
EX3012T	S,FS,P,DR	120V	3.0kW	25A
EX3512T	S,FS,P,DR	120V	3.5kW	29A
EX48T	EE,ML,S,P,FS,DR	240V*	4.8kW	20A
EX55T	EE,ML,S,P,FS,DR	240V*	5.5kW	23A
EX65T	EE,ML,S,P,FS,DR	240V*	6.5kW	27A
EX75T	EE,ML,S,P,FS,DR	240V*	7.5kW	32A
EX95T	EE,ML,S,P,FS,DR	240V*	9.5kW	40A
EX8208T	EE,ML,S,P,FS,DR	208V	8.3kW	40A
EX60T	EE,ML,S,P,FS,DR	277V	6.0kW	22A
EX80T	EE,ML,S,P,FS,DR	277V	8.0kW	29A
EX90T	EE,ML,S,P,FS,DR	277V	9.0kW	33A
EX100T	EE,ML,S,P,FS,DR	277V	10.0kW	36A

\*Units can be used at 208V with 25% reduced output.

### SPECIFICATION OPTIONS

- EE = Emergency Eyewash “Tepid Water” ANSI Z358.1
- ML = Multiple Lavs (5.5kW - 10kW)
- S = Sanitation Setting 180°
- P = Photo Setting temperatures ambient to 100°
- FS = Factory set temperature (ambient to 180°)
- DR = External temperature control  
LED temperature display (see “Digital Readout” spec sheet)

### APPLICATIONS:

- Dishwashers, Boosters (to 180°F) (S)
- Single and multiple handwash sinks maintain precise outlet temp for one, two, or three sinks code compliant (.5 GPM @ 105°F)(ML)
- Multi Station Modular Sinks
- Emergency eye wash fountains (EE)
- Metering and sensor faucet compatible
- Low volume shower handset (.7-2 GPM)
- Photo Processing (P)
- Schools/Hospitals/Nursing Homes/Laboratories
- Eliminate wait for hot water, long pipe runs
- Maintains accurate temperature continuously +/- 1°F

ADVANCED TECHNOLOGY • HIGHEST EFFICIENCY • DESIGNED FOR DURABILITY



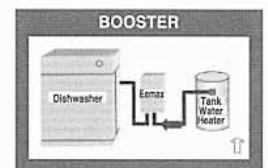
Emergency Eye/Face Wash Fountains



Multiple Sinks



Low Volume Hand Shower (.7 GPM - 2 GPM)



Boosters for Sanitation

MADE IN USA



### QUALITY FEATURES

- **Fully Adjustable Temperature Range between 100-140°.** Special settings of higher or lower range available upon request. (see spec options)
- **Eliminate Costly Mixing Valves.**
- **On Demand Hot Water** - no delay.
- **Continuous Hot Water** - no storage capacity to run out.
- **Reduces Installation Cost and Material** - no T & P relief valve needed (check local codes).
- **Easy Installation** - only one cold or hot water line need be brought to installation - integral compression fittings for 1/2" pipe (5/8" OD) on bottom (no sweat connections).
- **Cut Energy Waste** - flow switch activates heater only on demand (no standby heat loss) - 99% efficient.
- **Sophisticated microprocessing temperature control (+/- 1°F).**
- **Prevents Legionella Bacteria Growth.**
- **Meets ANSI Z358.1 Tepid Water Requirements**
- **Anti-scald Protection. Reduce wide temperature fluctuation.**
- **Reduces Calcification, Liming and Sedimentation.**
- **Complies with Handicap Requirements.**
- **Compact Size** - dimensions 10.75"x5.25"x2.87" weight 3 lbs.
- **Field Serviceable Element** - replaceable cartridge element (1 year warranty).
- **Warranty** - Full Factory Warranty - Heaters are guaranteed against failure due to leaks of "Heater Body/Element Assembly" for a period of FIVE YEARS.
- **High Temperature Limit Switch** - protects against element burn out, with reset button

## THERMOSTAT OPTIONS

- Standard unit has fully adjustable thermostat 100-140°
- Higher temperature available up to 180°F upon request. (S)
- "Digital Readout", external temperature adjustment range 2.4 kW - 32 kW. (see "Digital Readout" spec sheet) (DR)
- Factory set, nonadjustable thermostat available. (FS)
- Photoprocessing unit lower temperature range ambient to 100°. (P)
- "Tepid" warm water (60° - 95°F) for Emergency Eye wash fountains available. Complies with ANSI Z358.1 (EE)

## THERMOSTAT ACCURACY

- Thermostatic feature maintains +/- 1°F accuracy.
- Achieves full, pre-selected outlet temperature within 10 seconds after activation.
- Maintains consistent temperature.

Tankless Water Heater shall be an Eemax Thermostatic Model, with microprocessing temperature control capable of maintaining outlet temperature of +/- 1°F accuracy,

\_\_\_\_\_ , with \_\_\_\_\_ kW,  
model # \_\_\_\_\_ kW rating  
 \_\_\_\_\_ vac, and \_\_\_\_\_ to heat \_\_\_\_\_ GPM @ a  
voltage \_\_\_\_\_ amperage

temperature rise of \_\_\_\_\_ degrees F. Unit shall have ABS-UL 94Vo rated cover. Element shall be replaceable cartridge insert. Unit shall have replaceable filter in the inlet connector. Element shall be iron free, Nickel Chrome material. Heater shall be fitted with 1/2" pipe compression nuts (5/8" OD) or 3/8" sleeves, to eliminate need for soldering. Maximum operating pressure of 150 PSI. Hot water storage tanks prohibited. Unit shall be Eemax or approved equal.

## RATINGS OF "THERMOSTATIC" MODELS { cold or hot water feed }

MODEL	THERMOSTATIC OPTION	VOLTS	kW	AMPS	TEMPERATURE RISE °F					MINIMUM RECOMMENDED WIRE SIZE
					0.5 GPM	0.75 GPM	1.0GPM	1.5 GPM	2.0 GPM	
EX2412T	S,P,FS,DR	120V	2.4kW	20A	33°	22°	16°	11°	8°	10AWG
EX3012T	S,P,FS,DR	120V	3.0kW	25A	41°	27°	20°	14°	10°	10AWG
EX3512T	S,P,FS,DR	120V	3.5kW	29A	48°	32°	24°	16°	12°	10AWG
EX48T	EE,ML,S,P,FS,DR	240V*	4.8kW	20A	65°	44°	32°	21°	16°	12AWG
EX55T	EE,ML,S,P,FS,DR	240V*	5.5kW	23A	75°	50°	38°	25°	19°	10AWG
EX65T	EE,ML,S,P,FS,DR	240V*	6.5kW	27A	89°	59°	44°	30°	22°	10AWG
EX75T	EE,ML,S,P,FS,DR	240V*	7.5kW	32A	—	68°	51°	34°	26°	8AWG
EX95T	EE,ML,S,P,FS,DR	240V*	9.5kW	40A	—	87°	65°	43°	32°	8AWG
EX8208T	EE,ML,S,P,FS,DR	208V	8.3kW	40A	—	76°	57°	38°	28°	8AWG
EX60T	EE,ML,S,P,FS,DR	277V	6.0kW	22A	81°	55°	41°	27°	20°	10AWG
EX80T	EE,ML,S,P,FS,DR	277V	8.0kW	29A	—	73°	55°	36°	27°	10AWG
EX90T	EE,ML,S,P,FS,DR	277V	9.0kW	33A	—	82°	61°	41°	31°	8AWG
EX100T	EE,ML,S,P,FS,DR	277V	10.0kW	36A	—	91°	68°	46°	34°	8AWG

\* Units can be used at 208V with 25% reduced output and amperage.

## THERMOSTATIC TEMPERATURE CONTROL

### SPECIFICATION OPTIONS

- EE = (Emergency Eye Wash) to specify tepid water thermostatic units. Example: EX95TEE  
 Flows greater than 3 GPM consult "Series Two" (T2 Models) or "Three Phase" (T3 Models) specification sheet
- ML = (Multiple Lavs) .5 GPM x one, two or three handwash lavs, factory set temp 105° with .5 GPM turn on (5.5kW - 10kW)  
 Example: EX95TML {includes one, two, or three .5 GPM aerators (EX61) note quantities}
- S = (Sanitation Setting) thermostat set to 180°. Example: EX95TS
- P = (Photo Setting) temperatures lower than 100°F. Example: EX95TP
- FS = (Factory Set) temperature ambient to 180° Example: EX95FS 105°
- DR = External temperature control, LED temperature display (see "Digital Readout" spec)

## SPECIFICATIONS:

Dimensions: 10.75"x5.25"x2.78"

Weight: 3 lbs.

Cover: ABS UL rated 94Vo.

Color: White

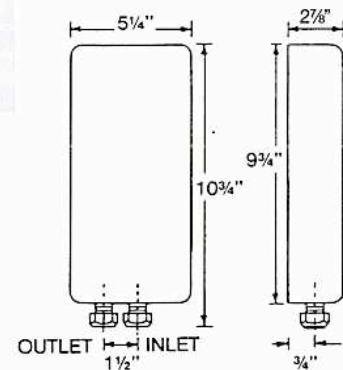
Standard temperature range 100°F-140°F

Element: Replaceable Ni Chrome cartridge insert

Fittings: 1/2" pipe compression fittings at bottom of unit. (5/8" OD)

UL Listed: E86887 (M)

U.S. Patent #'s: 4,762,980 and 4,960,976



### SPECIAL DESIGN SERVICE

INQUIRIES FOR UNITS FOR UNIQUE APPLICATIONS ARE WELCOME. CALL OUR TECHNICAL SERVICE DEPT. 1-800-543-6163

### EEMAX SUBMITTAL

Engineer/Architect: \_\_\_\_\_  
 Job Name/Customer: \_\_\_\_\_  
 Location: \_\_\_\_\_  
 Contractor: \_\_\_\_\_  
 Representative: \_\_\_\_\_  
 HEATER SPECIFICATIONS:  
 Thermostatic Model # EX \_\_\_\_\_ T \_\_\_\_\_

Option	Quantity	kW	Voltage	AMPS	GPM

# Eemax® Inc.

353 Christian St., Oxford, CT 06478

www.eemax.com

Telephone: (203) 267-7890

Toll Free: 1-800-543-6163

Fax: (203) 267-7975

### Instant Comfort...Endless Savings

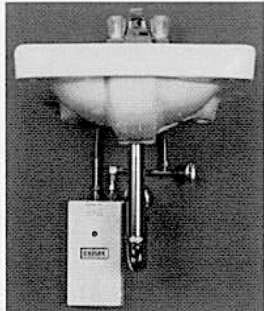


# ELECTRIC TANKLESS WATER HEATERS



## Eemax "SINGLE POINT" Models

Designed for undersink handwashing installation, cold water feed only. Single faucet use with 3/8" compression fittings at top of unit. Top or rear entry electric. .5 GPM faucet aerator provided.



SP

MODEL NO.	VOLTS	kW	AMPS	TEMP. RISE °F AT 0.5 GPM °F	RECOMMENDED WIRE SIZE
SP2412	120V	2.4kW	20A	33°	10AWG
SP3012	120V	3.0kW	25A	41°	10AWG
SP3512	120V	3.5kW	29A	48°	10AWG
SP3208	208V	3.0kW	14.4A	41°	14AWG
SP4208	208V	4.1kW	19.7A	56°	12AWG
SP35	240V	3.5kW	14.6A	48°	14AWG
SP48	240V	4.8kW	19A	64°	14AWG
SP55	240V	5.5kW	22.9A	75°	12AWG
SP3277	277V	3.0kW	10.8A	41°	14AWG
SP4277	277V	4.1kW	14.8A	56°	14AWG

### EXCLUSIVE "SP" FEATURES

- .5 GPM aerator meets public handwashing requirements
- Convenient 3/8" compression fittings
- Faucet aerator included
- Field serviceable element
- Thermal cut out

### SPEC OPTIONS

- FC = Flex Connector (i.e.) SP3512FC EX176
- 3/8" C x 1/2" FIP 16" faucet supply EX176
- 3/8" C x 3/8" OD 16" faucet supply EX 177

## Eemax "FLOW CONTROLLED" Models

Recommended cold water feed, fitted with either 3/8" or 1/2" pipe compression fittings on bottom (EX) or top (SP) of unit. Available with constant flow control aerator. Bottom or rear entry electric. Turn on .5 or .7 GPM, max 2 GPM. With thermal cut out. Ideal for Kitchen sinks, bar sinks, dual lavs, etc.



EX

PLUMBING ORIENTATION	MODEL	OPTIONS	VOLTS	kW	AMPS	TEMPERATURE RISE °F				RECOMMENDED WIRE SIZE
						0.5 GPM	0.75 GPM	1.0 GPM	1.5 GPM	
SPEX	35	SL,FC	240V*	3.5kW	15A	48°	32°	24°	-	14AWG
SPEX	48	SL,DL,FC	240V*	4.8kW	19A	64°	42°	31°	21°	12AWG
SPEX	55	SL,DL,FC	240V*	5.5kW	23A	75°	50°	38°	25°	10AWG
SPEX	65	DL,FC	240V*	6.5kW	27A	-	59°	44°	30°	10AWG
SPEX	75	DL,FC	240V*	7.5kW	32A	-	68°	51°	34°	8AWG
SPEX	95	DL,FC	240V*	9.5kW	40A	-	87°	65°	43°	8AWG
SPEX	8208	DL,FC	208V	8.3kW	40A	-	76°	57°	38°	8AWG
SPEX	60	DL,FC	277V	6.0kW	22A	-	55°	41°	27°	10AWG
SPEX	80	DL,FC	277V	8.0kW	29A	-	73°	55°	36°	10AWG
SPEX	90	DL,FC	277V	9.0kW	33A	-	82°	61°	41°	8AWG
SPEX	100	DL,FC	277V	10.0kW	36A	-	91°	68°	46°	8AWG



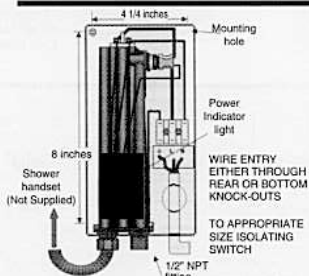
\*Units can be used on 208V with 25% reduced output

### SPEC OPTIONS

- Plumbing Orientation:  SP = Top Water Connection  SL = (Single Lav) (i.e.) EX65SL
- EX = Bottom Water Connection  DL = (Dual Lav) (i.e.) EX65DL
- 3/8 compression fitting

## Eemax "MARINE/RV" Models

Designed for low volume shower hand set. Turn on .5 GPM max 1 GPM. Cold water feed only. Provided with 1/2" stainless steel male tapered pipe thread plumbing connections (NPT) and aerator.



MODEL NO.	VOLTS	kW	AMPS	TEMP. RISE °F AT .5 GPM / 1 GPM	RECOMMENDED WIRE SIZE
EX2412M	120V	2.4kW	20A	33°/16°	10AWG
EX3012M	120V	3.0kW	25A	41°/20°	10AWG
EX3512M	120V	3.5kW	29A	48°/24°	10AWG

- M = Marine Heater, stainless steel fittings (1/2" NPT)

## Eemax "THERMOSTATIC" Models (Single Module)

Hot or cold water feed, microprocessor temperature control for accurate temperature. Fitted with 1/2" copper pipe compression fittings with rear or bottom electric entry. Ideal for schools, hospitals, emergency eye wash, (ANSI Z358.1) multi outlet handwashing, etc. Thermostat +/- 1° accuracy. Standard range 100°-140°F. (Optional factory set temperature available). Turn on .5 or .7 GPM, max 2 GPM. With thermal cut out.



EX (T)

MODEL	THERMOSTATIC OPTIONS	VOLTS	kW	AMPS	TEMPERATURE RISE °F					MINIMUM RECOMMENDED WIRE SIZE
					0.5 GPM	0.75 GPM	1.0GPM	1.5 GPM	2.0 GPM	
EX2412T	S,FS	120V	2.4kW	20A	33°	22°	16°	11°	8°	10AWG
EX3012T	S,FS	120V	3.0kW	25A	41°	27°	20°	14°	10°	10AWG
EX3512T	S,FS	120V	3.5kW	29A	48°	32°	24°	16°	12°	10AWG
EX48T	EE,ML,S,FS	240V*	4.8kW	19A	64°	42°	31°	21°	12AWG	
EX55T	EE,ML,S,FS	240V*	5.5kW	23A	75°	50°	38°	25°	19°	10AWG
EX65T	EE,ML,S,FS	240V*	6.5kW	27A	89°	59°	44°	30°	22°	10AWG
EX75T	EE,ML,S,FS	240V*	7.5kW	32A	-	68°	51°	34°	26°	8AWG
EX95T	EE,ML,S,FS	240V*	9.5kW	40A	-	87°	65°	43°	32°	8AWG
EX120T†	EE,ML,S,FS	240V†	11.5kW	48A	-	104°	79°	52°	39°	6AWG
EX8208T	EE,ML,S,FS	208V	8.3kW	40A	-	76°	57°	38°	28°	10AWG
EX60T	EE,ML,S,FS	277V	6.0kW	22A	81°	55°	41°	27°	20°	10AWG
EX80T	EE,ML,S,FS	277V	8.0kW	29A	-	73°	55°	36°	27°	8AWG
EX90T	EE,ML,S,FS	277V	9.0kW	33A	-	82°	61°	41°	31°	8AWG
EX100T	EE,ML,S,FS	277V	10.0kW	36A	-	91°	68°	46°	34°	8AWG

\*Units can be used on 208V with 25% reduced output

†Dual heating modules 3/4" npt water connections



Multi Lav - Ideal for one, two or three lavs at (.5GPM) will maintain constant temp (EX48 and up)

### THERMOSTATIC SPEC OPTIONS

- EE = (Emergency Eye Wash) specify for Tepid Water requirements (i.e.) EX95TEE
- ML = (Multi Lav) .5 GPM turn on for one, two, or three, lavs @ .5 GPM 105° temp setting (i.e.) EX95TML
- S = Sanitation setting 180°
- FS = Factory set temp (ambient to 180°)

# Eemax Inc.

1-800-543-6163

353 Christian Street • Oxford, CT 06478

FAX: (203) 267-7975

email - eemaxinc@aol.com • website - www.eemax.com

TERMS: F.O.B. Oxford, CT, net 30 days

FREIGHT: Full freight allowed on shipments of 18 units or more.

MASTER SPECS: 6 unit Master Carton: 12" x 10" x 13"  
 10 unit Master Carton: 16" x 12" x 13", 30 lb.  
 18 unit Master Carton: 20" x 18" x 14", 63 lb.

## Eemax Twin Module "SERIES TWO" Models (Dual Module)



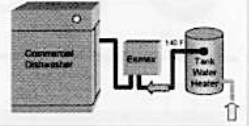
### "PARALLEL" Models (Dual Module) with Thermostatic Control

Hot or cold water feed, (dishwashers, photo processing, Emergency Eye /Face Wash) Min. flow, 1.5 GPM. Max 4 GPM. Standard range: 100 - 140° booster to 180°(S). 3/4" npt water connections with thermal cut out.

MODEL	THERMOSTATIC OPTIONS	VOLTS	kW	AMPS	TEMPERATURE RISE °F				Recommended WIRE SIZE
					1.5GPM	2.0GPM	2.5GPM	3.0GPM	
EX144T2	EE,S,FS	240V	15kW	64 (2"x32)A	68°	51°	41°	34°	8AWG per module
EX190T2	EE,S,FS	240V	19kW	80 (2"x40)A	87°	65°	52°	43°	8AWG per module
EX1608T2	EE,S,FS	208V	16.6kW	80 (2"x40)A	75°	57°	45°	38°	8AWG per module
EX160T2	EE,S,FS	277V	16kW	58 (2"x29)A	73°	55°	44°	36°	10AWG per module
EX200T2	EE,S,FS	277V	20kW	72 (2"x36)A	91°	68°	54°	46°	8AWG per module

**THERMOSTATIC SPEC OPTIONS:**  EE = Emergency Eye/Face Wash Tepid Water requirements (i.e) EX144T2EE  
 S = Sanitation 180°  
 FS = Factory set ambient to 180°

Sanitizing Booster For Commercial Dishwashing etc.



### "STAGED" Models (Twin Module) with Thermostatic Control

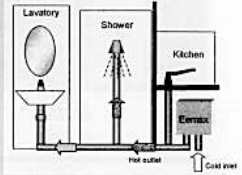
Activated in stages, based on demand. Residential (showers, multi lavs.) Min. Flow, 0.7 GPM. Max 3 GPM. 3/4" npt water connections with thermal cut out.

MODEL	THERMOSTATIC OPTIONS	VOLTS	kW	AMPS	TEMPERATURE RISE °F				Recommended WIRE SIZE
					1.5GPM	2.0GPM	2.5GPM	3.0GPM	
EX120TC	FS,ML	240V	11.5kW	48 A	52°	39°	31°	26°	8AWG per module
EX144TC	FS,ML	240V	15kW	64 (2"x32)A	68°	51°	41°	34°	8AWG per module
EX190TC	FS,ML	240V	19kW	80 (2"x40)A	87°	65°	52°	43°	8AWG per module
EX1608TC	FS,ML	208V	16.6kW	80 (2"x40)A	75°	57°	45°	38°	8AWG per module
EX160TC	FS,ML	277V	16kW	58 (2"x29)A	73°	55°	44°	36°	10AWG per module
EX200TC	FS,ML	277V	20kW	72 (2"x36)A	91°	68°	54°	46°	8AWG per module

**SPEC OPTIONS:**  ML = Multi Lav (i.e.) EX190TML .5 turn on set temp. 105°  
 FS = Factory set ambient to 180°

Nema 4 = enclosure 12" x 12" x 6"  
 Panel 10.2" x 10.2" available all "Series Two" models

single shower (cabin or condo)



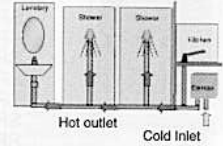
## Eemax Whole House "SERIES THREE" Model (Triple Module)

(whole house). Equipped with microprocessing temp control with staged heating modules. Fitted 3/4" NPT Water Connections. Min. flow .7 GPM, max 4 GPM with thermal cut out

MODEL	TURN ON OPTIONS	VOLTS	kW	AMPS	TEMPERATURE RISE °F			RECOMMENDED WIRE SIZE
					2.5 GPM	3 GPM	4 GPM	
EX280	T2T,T3	240V	28.5kW	120(3x40)A	76°	65°	49°	8 AWG per module

\*Single phase 240V/208V

T2T = Thermostatic (Staged turn on) Activates .7 GPM, max flow 4 GPM  
 T3 = Thermostatic (Parallel turn on) Activates 1.8 GPM, max flow 5 GPM

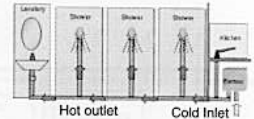


## Eemax Whole House "SERIES FOUR" Model (Four Modules)

(whole house). Equipped with microprocessing temp control with staged heating modules. Fitted 3/4" NPT Water Connections. Min. flow .7 GPM, max 6 GPM with thermal cut out

MODEL	TURN ON OPTIONS	VOLTS	kW	AMPS	2.5GPM	3GPM	4GPM	5GPM	6GPM
					EX380	T2T2,T4	240V	38kW	160 (4x40)A*

T2T2 = Thermostatic (Staged turn on) Activates .7 GPM, max flow 6 GPM  
 T4 = Thermostatic (Parallel turn on) Activates 1.8 GPM, max flow 8 GPM



## Eemax "THREE PHASE" Models (Triple Module)

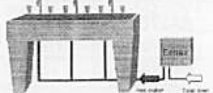
### "THREE PHASE" Models (Triple Module) Thermostatic

Hot or cold water feed use in Commercial and Industrial applications. Available in 480Y/277 volts (4 wire - wye/star) or 208/120v (no neutral leg - Delta) electric. Fitted with 1/2" pipe compression fittings and bottom electric entry. With thermal cut out.

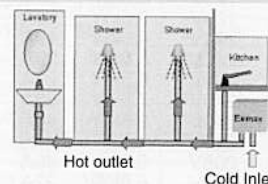
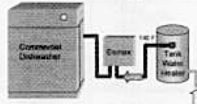
T3 = Thermostatic (Parallel turn on) Activates 1.8 GPM, max flow 5 GPM  
 T2T = Thermostatic (Staged turn on) Activates .7 GPM, max flow 4 GPM

MODEL	TURN ON OPTIONS	kW RATING	VOLTAGE	CURRENT PER PHASE	TEMPERATURE RISE °F					Recomm. WIRE SIZE	
					1.5GPM	2.0GPM	2.5GPM	3.0GPM	3.5GPM		
EX180	T3,T2T	18kW	208/120V	50A/phase	82°	61°	49°	41°	35°	25°	6AWG
EX240	T3,T2T	24kW	208/120V	67A/phase	—	82°	65°	54°	47°	34°	6AWG
EX180	T3,T2T	18kW	480Y/277V	21.7A/phase	82°	61°	49°	41°	35°	25°	10AWG
EX240	T3,T2T	24kW	480Y/277V	28.9A/phase	—	82°	65°	54°	47°	34°	10AWG
EX320	T3,T2T	32kW	480Y/277V	38.5A/phase	—	—	87°	73°	62°	45°	8AWG

Compartment or food prep sinks



Sanitizing Booster For Commercial Dishwashing etc.



**SPEC OPTION:**  EE= Tepid Water ANSI Z358.1  
 S = Sanitation 180°  
 T2T= For hot or cold water feed  
 FS= Factory set temp (ambient to 180°)  
 Nema 4 = enclosure 16" x 16" x 6", Panel 14.2" x 14.2" available all "Three Phase" models

## Eemax "SERIES SIX" Models (Six Module)



EX (T24T,T6) Hot or cold water feed. Available in 480/277 (4 wire-wye/star) or 208/120v (no neutral leg delta) electric. Fitted with 1" NPT bottom pipe connections. Ideal for tepid water for Eye/Face Wash. (65-90°) Industrial/commercial applications. Standard temp setting 100°-140° equipped with microprocessing thermostats. With thermal cut out.

MODEL	TURN ON OPTIONS	THERMOSTATIC OPTIONS	VOLTS	kW	AMPS	4.0 GPM	TEMPERATURE RISE AT °F					RECOMMENDED WIRE SIZE
							5.0 GPM	6.0 GPM	7.5 GPM	8.0 GPM	10.0 GPM	
EX360	T6,T24T	EFS,FS	480Y/277V	36kW	43A	61°	49°	41°	32°	30°	24°	4 AWG
EX480	T6,T24T	EFS,FS	480Y/277V	48kW	58A	82°	65°	54°	43°	41°	32°	3 AWG
EX540	T6,T24T	EFS,FS	480Y/277V	54kW	65A	92°	73°	61°	49°	46°	36°	2 AWG
EX630	T6,T24T	EFS,FS	480Y/277V	63kW	76A	107°	86°	71°	57°	53°	43°	1 AWG
EX360	T6,T24T	EFS,FS	208/120V	36kW	100A	61°	49°	41°	32°	30°	24°	1 AWG
EX480	T6,T24T	EFS,FS	208/120V	48kW	133A	82°	65°	54°	43°	41°	32°	2/0 AWG

### TURN ON OPTIONS

- T6 = Parallel Heating Module (turns on 3.5 GPM/max 12 GPM)
- T24T = Staged heating elements (turns on 1GPM/max 6 GPM)

### SPEC OPTION:

- Nema 4 = enclosure 36" x 30" x 12"

### THERMOSTATIC OPTIONS

- S = SANITATION 180°
- FS = Factory set temp (ambient to 180°)
- EF/combo = Emergency Eye/Face Specify for tepid water requirements

## Eemax "SERIES TWELVE" Models (Twelve Module)

Recommended for emergency drench showers to comply with ANSI Z358.1 tepid water requirements (65°-90°) 25 GPM. 480Y/277 volt three phase (wye/star) or 208/120 volt three phase (delta no neutral leg) electrical configuration. With thermal cut out. **Contact Factory for sizing.**



EX (T12)  DS  
 EFD

MODEL	TURN ON OPTIONS	THERMOSTATIC OPTIONS	VOLTS	TOTAL kW	AMPS PER PHASE	FIRST STAGE EYE/FACE TEMPERATURE RISE °F		SECOND STAGE DRENCH TEMPERATURE RISE °F		RECOMMENDED WIRE SIZE
						6 GPM	7.5 GPM	20 GPM	23 GPM	
EX480T12	EFD,DS	S,FS	480Y/277V	48kW	58A	27°	22°	16°	14°	3AWG
EX720T12	EFD,DS	S,FS	480Y/277V	72kW	87A	41°	33°	25°	21°	1/0AWG
EX960T12	EFD,DS	S,FS	480Y/277V	96kW	116A	55°	44°	33°	28°	3/0AWG
EX1080T12	EFD,DS	S,FS	480Y/277V	108kW	130A	61°	49°	37°	32°	4/0AWG
EX1260T12	EFD,DS	S,FS	480Y/277V	126kW	156A	72°	57°	43°	37°	250MCM
EX480T12	EFD,DS	S,FS	208V/3Ø	48kW	133A	27°	22°	16°	14°	2/0AWG
EX720T12	EFD,DS	S,FS	208V/3Ø	72kW	200A	41°	33°	25°	21°	300MCM
EX960T12	EFD,DS	S,FS	208V/3Ø	96kW	267A	55°	44°	33°	28°	400MCM

### TURN ON OPTIONS

- EFD/Combo = For combination Eye/Face Drench Shower - First Stage 4 GPM turn on (1/2 kW power) Eye/Face Second Stage 15 GPM turn on (full kW power) Drench Shower
- DS = For Drench Shower only. (min. turn on 12 GPM)

### SPEC OPTIONS:

- Nema 4 = Enclosure 42" x 36" x 12", panel 40.2" x 34.2"

### THERMOSTATIC OPTIONS

- S = Sanitation Setting to 180°
- FS = Factory set non adjustable temperature

## Eemax "DIGITAL READOUT" Models

Hot or cold water feed use for booster, or wherever accurate temperature is required. Fitted with 1/2" copper pipe (3/8" OD) compression fittings with rear or bottom entry electric. Ideal for labs, hospitals, photo processing, residential etc. Thermostat +/- 1°F accuracy. With thermal cut out. **External thermostatic control and digital temperature readout.**



DR (single module)



DR (dual module)



DR (triple module)

MODEL	THERMOSTATIC OPTIONS	VOLTS	kW	AMPS	TEMPERATURE RISE °F					Recommended Wire Size
					0.5 GPM	0.75 GPM	1.0 GPM	1.5 GPM	2.0 GPM	
EX2412T DR	S,P,FS	120V	2.4kW	20A	33°	22°	16°	11°	8°	10 AWG
EX3012T DR	S,P,FS	120V	3.0kW	25A	41°	27°	20°	14°	10°	10 AWG
EX3512T DR	S,P,FS	120V	3.5kW	29A	48°	32°	24°	16°	12°	10 AWG
EX8208T DR	S,P,EE,FS	208V	8.3kW	40A	38°	28°	21°	14°	8°	8 AWG
EX48TDR	S,P,EE,FS	240V	4.8kW	19A	64°	42°	31°	21°	10 AWG	
EX55T DR	S,P,EE,FS	240V	5.5kW	23A	25°	50°	38°	25°	19°	10 AWG
EX65T DR	S,P,EE,FS	240V	6.5kW	27A	89°	59°	44°	30°	22°	10 AWG
EX75T DR	S,P,EE,FS	240V	7.5kW	32A	34°	68°	51°	34°	26°	8 AWG
EX95T DR	S,P,EE,FS	240V	9.5kW	40A	43°	87°	65°	43°	32°	8 AWG
EX60T DR	S,P,EE,FS	277V	6.0kW	22A	81°	55°	41°	27°	21°	10 AWG
EX80T DR	S,P,EE,FS	277V	8.0kW	29A	109°	73°	55°	36°	27°	10 AWG
EX90T DR	S,P,EE,FS	277V	9.0kW	32A	122°	82°	61°	41°	31°	8 AWG
EX100T DR	S,P,EE,FS	277V	10.0kW	36A	136°	91°	68°	46°	34°	8 AWG

### DUAL HEATING MODULE

MODEL	TURN ON OPTIONS	THERMOSTATIC OPTIONS	VOLTS	kW	AMPS	TEMPERATURE RISE °F				Recommended Wire Size
						2.0 GPM	2.5 GPM	3.0 GPM	4.0 GPM	
EX1608TC,DR	TC,T2	S,P,EE,FS	208V	16.6kW	80(2x40)A	57°	45°	38°	19°	8 AWG per module max 4 GPM
EX120T DR	TC,T2	S,P,EE,FS	240V	11.5kW	48A	39°	31°	26°	19°	8 AWG per module max 4 GPM
EX144T DR	TC,T2	S,P,EE,FS	240V	15.0kW	64(2x32)A	51°	41°	34°	26°	8 AWG per module max 4 GPM
EX190T DR	TC,T2	S,P,EE,FS	240V	19.0kW	80(2x40)A	65°	52°	43°	32°	8 AWG per module max 4 GPM
EX160T DR	TC,T2	S,P,EE,FS	277V	16.0kW	58(2x29)A	55°	44°	36°	27°	10 AWG per module max 4 GPM
EX200T DR	TC,T2	S,P,EE,FS	277V	20kW	72(2x36)A	68°	54°	46°	34°	8 AWG per module max 4 GPM

### THERMOSTATIC OPTION:

- EE = Tepid Water ANSI Z358.1
- S = Sanitation 180°
- FS = Factory set temp (ambient to 180°)
- P = Photo setting ambient to 100°

### TURN ON OPTION:

- TC = Staged turn on min .7 GPM, max 4 GPM
  - T2T = Staged turn on min. 7 GPM max 4 GPM
  - T3 = Parallel turn on min 1.8 GPM max 5 GPM
  - T2 = Parallel turn on 1.3 GPM max 4 GPM
- \*Units can be used on 208V with 25% reduced output

### TRIPLE HEATING MODULE

MODEL	TURN ON OPTIONS	THERMOSTATIC OPTIONS	VOLTS	kW	AMPS	TEMPERATURE RISE °F					Recommended Wire Size
						2.0 GPM	2.5 GPM	3.0 GPM	4.0 GPM	5.0 GPM	
EX180T DR	T3,T2T	S,P,EE,FS	208V/120V Delta-no neutral leg	18kW	50A/phase	61°	49°	41°	32°	25°	6 AWG
EX240T DR	T3,T2T	S,P,EE,FS	208V/120V Delta-no neutral leg	24kW	67A/phase	82°	65°	54°	43°	34°	6 AWG
EX280T DR	T3,T2T	S,P,EE,FS	240V Single Phase	28kW	120(3x40)A	95°	76°	64°	48°	38°	8 AWG per module
EX180T DR	T3,T2T	S,P,EE,FS	480Y/277V Neutral leg required	18kW	22A/phase	61°	49°	41°	32°	25°	10 AWG
EX240T DR	T3,T2T	S,P,EE,FS	480Y/277V Neutral leg required	24kW	29A/phase	82°	65°	54°	43°	34°	10 AWG
EX320T DR	T3,T2T	S,P,EE,FS	480Y/277V Neutral leg required	32kW	39A/phase	109°	87°	73°	58°	45°	8 AWG

## Eemax Electric "MINI-TANK" Models

Lightweight and compact, the 2.5 and 4 gallon models plug into a standard 110 volt outlet. (includes T&P valve)



### SPECIFICATIONS

Tank Volume  
Dimensions  
Recovery time (60 to 150°)  
Water Connections  
Relief Valve  
Shipping weight

### EMT2.5

2.5 gallons  
17 1/2" x 11 1/8" x 11 1/8"  
25 minutes  
1/2 inch NPT  
included  
18 lbs

### EMT4

4 gallons  
18 1/2" x 11 1/8" x 11 1/8"  
45 minutes  
1/2 inch NPT  
included  
19 lbs

### EMT6

6 gallons  
14" x 16"  
55 minutes  
3/4 inch NPT  
included  
33 lbs

### EMT2.5 & EMT4

- Voltage - 110/120 volts
- Amperage - 10 amps
- Heating Capacity - 1200 watts
- Phase - single
- Temperatures - 65°-160°F
- Max Operating Pressure - 150 psi

### EMT6

- Voltage - 110/120 volts
- Amperage - 16.7 amps
- Heating Capacity - 1500 watts
- Phase - single
- Temperatures - 54°-155°F
- Max Operating Pressure - 150 psi

# Eemax "DE-IONIZED" MODELS

**THERMOSTATIC MODELS** - PRECISE OUTLET TEMPERATURE SETTINGS. Recommended for microchip production, pharmaceutical procedures, ultra sonic cleaning

## Ratings of "SINGLE MODULE THERMOSTATIC DE-IONIZED" Models (cold or hot water feed)



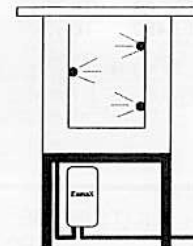
EX "T" Thermostatic



"THREE PHASE" EEMAX DI WATER HEATERS ARE CAPABLE OF HEATING WATER UP TO 18 M.OHM QUALITY.

MODEL	VOLTS	kW	AMPS	TEMPERATURE RISE °F						RECOMM. WIRE SIZE
				0.5 GPM	0.75 GPM	1.0 GPM	1.5 GPM	2.0 GPM	2.5 GPM	
EX2412TDI	120V	2.4kW	20A	33°	22°	16°	11°	8°	10AWG	
EX3012TDI	120V	3.0kW	25A	41°	27°	20°	14°	10°	10AWG	
EX3512TDI	120V	3.5kW	29A	48°	32°	24°	16°	12°	10AWG	
EX48TDI	240V	4.8kW	19A	64°	42°	31°	21°	14AWG		
EX55TDI	240V*	5.5kW	23A	75°	50°	38°	25°	19°	10AWG	
EX65TDI	240V*	6.5kW	27A	89°	59°	44°	30°	22°	10AWG	
EX75TDI	240V*	7.5kW	32A	—	68°	51°	34°	26°	8AWG	
EX95TDI	240V*	9.5kW	40A	—	87°	65°	43°	32°	8AWG	
EX8208TDI	208V	8.3kW	40A	—	76°	57°	38°	28°	8AWG	
EX60TDI	277V	6.0kW	22A	82°	55°	41°	27°	20°	10AWG	
EX80TDI	277V	8.0kW	29A	—	73°	55°	36°	27°	10AWG	
EX90TDI	277V	9.0kW	33A	—	82°	61°	41°	31°	8AWG	
EX100TDI	277V	10.0kW	36A	—	91°	68°	46°	34°	8AWG	

Spray rinse tanks. Ultrasonic cleaning.



All DI Models Thermostatic Option:  P = ambient 100°  
 S = Sanitation setting 180°  
 FS = Factory set temp (ambient to 180°)

Ultrapure water "DI" heaters have been tested by independent analytical laboratory with DI water samples collected upstream and downstream of DI heater. Test results demonstrate consistent purity of water. Test data available upon request. Ultra sonic cleaning, pharmaceuticals.

## Ratings of "DUAL MODULE THERMOSTATIC DE-IONIZED" MODELS Two Heating Modules

MODEL NO.	TURN ON OPTIONS	VOLTS	kW	AMPS	TEMPERATURE RISE °F						RECOMM. WIRE SIZE
					1.5 GPM	2.0 GPM	2.5 GPM	3.0 GPM	3.5 GPM	4.0 GPM	
EX144DI	TC,T2	240V	15kW	64 (2x32)A	65°	51°	41°	34°	29°	26°	8AWG
EX190DI	TC,T2	240V	19kW	80 (2x40)A	87°	65°	52°	43°	37°	32°	8AWG
EX1608DI	TC,T2	208V	16.6kW	80 (2x40)A	75°	57°	45°	38°	32°	28°	8AWG
EX160DI	TC,T2	277V	16kW	58 (2x29)A	73°	55°	44°	36°	31°	27°	10AWG
EX200DI	TC,T2	277V	20kW	72 (2x36)A	91°	68°	55°	46°	39°	34°	8AWG

TURN ON OPTIONS:  TC = Staged turn on .7 GPM, max 3 GPM  
 T2 = Parallel turn on 1.3 GPM, max 4 GPM

## Ratings of "TRIPLE MODULE THERMOSTATIC DE-IONIZED" MODELS Three Heating Modules

"THREE PHASE"				CURRENT PER PHASE	TEMPERATURE RISE °F						RECOMM. WIRE SIZE	
MODEL	TURN ON OPTIONS	kW RATING	VOLTAGE		2.0 GPM	2.5 GPM	3.0 GPM	3.5 GPM	4.0 GPM	5.0 GPM		
EX180DI	T3,T2T	18kW	208/120V	Delta-no neutral leg	50A/phase	61°	49°	41°	35°	31°	25°	6AWG
EX240DI	T3,T2T	24kW	208/120V	Delta-no neutral leg	67A/phase	82°	66°	55°	47°	41°	33°	6AWG
EX180DI	T3,T2T	18kW	480Y/277V	neutral leg required	22A/phase	61°	49°	41°	35°	31°	25°	10AWG
EX240DI	T3,T2T	24kW	480Y/277V	neutral leg required	29A/phase	82°	66°	55°	47°	41°	33°	10AWG
EX320DI	T3,T2T	32kW	480Y/277V	neutral leg required	39A/phase	—	87°	73°	62°	55°	44°	8AWG
EX280DI	T3,T2T	28kW	240V		120A(3x40A)	96°	76°	64°	55°	48°	38°	8AWG

\*Single phase 240/208V

TURN ON OPTIONS:  T2T = Staged turn-on .7 GPM, max 3 GPM  
 T3 = Parallel turn on 1.3 GPM, max 5 GPM

### Typical Flow Rates in Gallons per Minute (gpm)

Fixture Type	Lavatory	Bathtub	Shower	Kitchen Sink	Pantry Sink	Laundry Sink	Dish-washer
Flow Rates	.5	2.0 - 4.0	1.5 - 3.0	1.0 - 1.5	1.5 - 2.5	2.5 - 3.0	1.0 - 3.0

### FORMULAS

$$\text{Flow Rate, (GPM)} = \frac{\text{kW rating} \times 6.83}{\text{rise in temp } (^\circ\text{F})}$$

$$\text{Rise in Temp. } (^\circ\text{F}) = \frac{\text{kW rating} \times 6.83}{\text{GPM}}$$

$$\text{kW Rating} = \frac{\text{GPM} \times \text{rise in temp}}{6.83}$$

### FLOW CHART

### POWER REQUIRED - kW

GPM	10	9	8	7	6	5	4	3	2	1	1/2
20°F	29.34kW	26.4kW	23.4kW	20.5kW	17.6kW	14.6kW	11.7kW	8.8kW	5.8kW	3.0kW	—
30°F	44kW	39.5kW	35.1kW	30.7kW	26.4kW	22kW	17.6kW	13.0kW	8.8kW	4.4kW	—
40°F	58.6kW	52.7kW	46.9kW	41kW	35.1kW	29kW	23.4kW	17.6kW	11.7kW	5.8kW	3.0kW
50°F	73.2kW	65.9kW	58.6kW	51.2kW	44kW	37kW	29kW	22kW	14.6kW	7.3kW	3.6kW
60°F	82kW	70.3kW	61.5kW	51.2kW	44kW	37kW	29kW	22kW	14.6kW	7.3kW	3.6kW
70°F	82kW	70.3kW	61.5kW	51.2kW	44kW	37kW	29kW	22kW	14.6kW	7.3kW	3.6kW
80°F	82kW	70.3kW	61.5kW	51.2kW	44kW	37kW	29kW	22kW	14.6kW	7.3kW	3.6kW
90°F	82kW	70.3kW	61.5kW	51.2kW	44kW	37kW	29kW	22kW	14.6kW	7.3kW	3.6kW
100°F	82kW	70.3kW	61.5kW	51.2kW	44kW	37kW	29kW	22kW	14.6kW	7.3kW	3.6kW
110°F	82kW	70.3kW	61.5kW	51.2kW	44kW	37kW	29kW	22kW	14.6kW	7.3kW	3.6kW

Temperature Rise - °F

# Eemax® Inc.

353 CHRISTIAN ST., OXFORD, CT 06478  
 email - eemaxinc@aol.com

www.eemax.com



Toll Free: 1-(800) 543-6163  
 Telephone: (203) 267-7890  
 FAX: (203) 267-7975